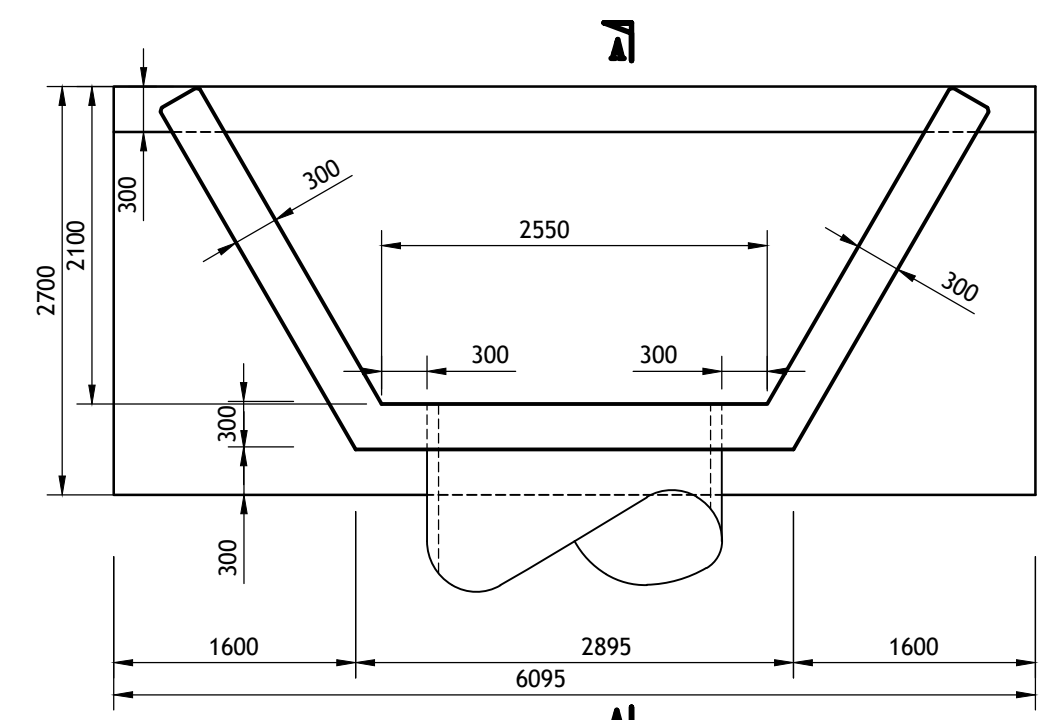
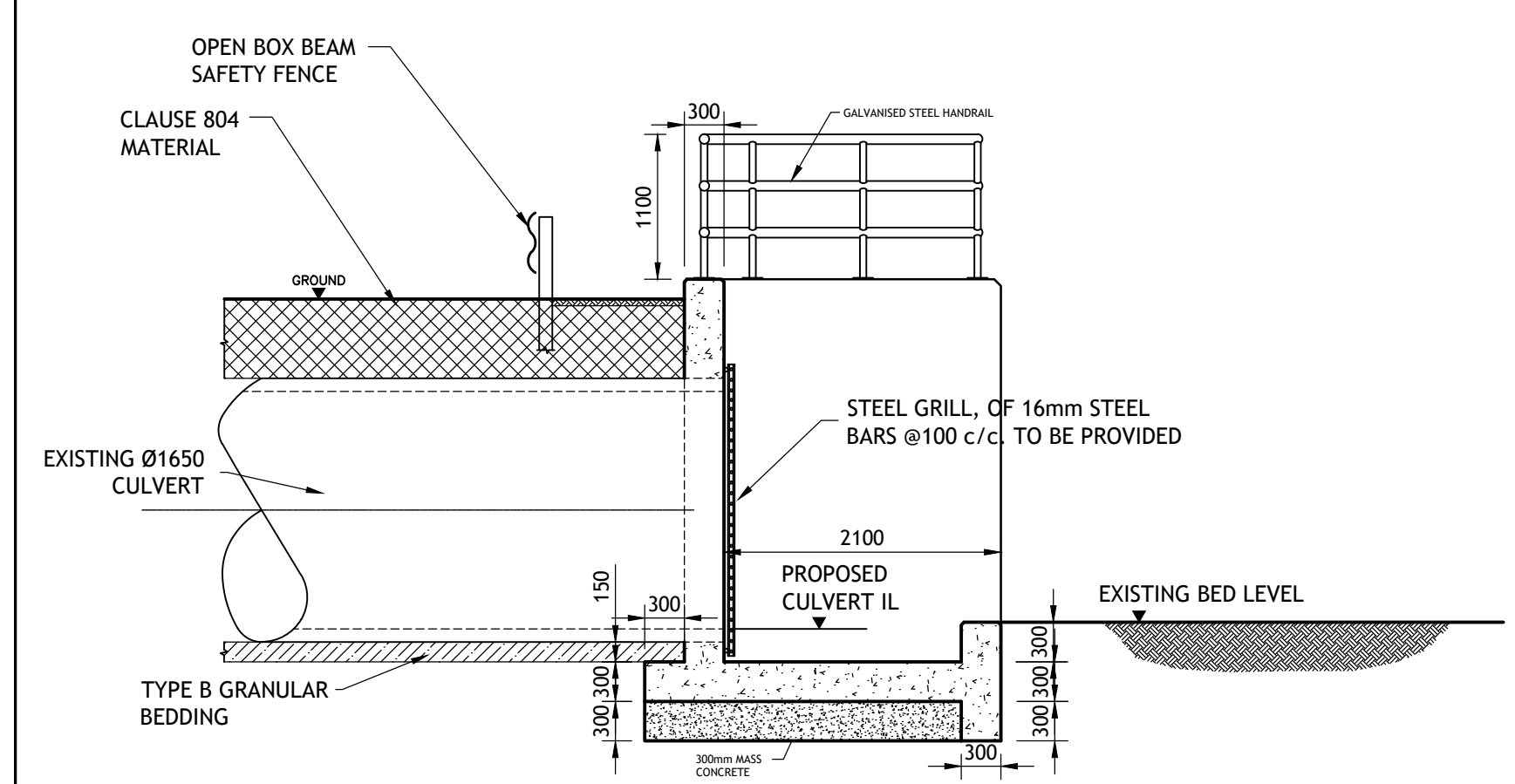


SITE PLAN
SCALE 1:1000



Ordnance Survey Ireland Licence No EN 0003720
© Ordnance Survey Ireland/Government of Ireland

© PUNCH Consulting Engineers

This drawing and any design hereon is the copyright of the Consultants and must not be reproduced without their written consent. All drawings remain the property of the Consultants. Figured dimension only to be taken from this drawing. Consultants to be informed immediately of any discrepancies before work proceeds.

COLOUR DRAWING

Date Drawn: 2018-12-20
Drawn By: IBS
Date Issued: 2021-03-01
Issued By: IBS



Rev	Amendment	By	Date
PL0	PLANNING ISSUE	IBS	2022/03/28

Client:
1 CARRICKMINES LAND LTD.

Job: PRIORSLAND CHERRYWOOD SHD
Title: PROPOSED EXTENSION TO EXISTING SURFACE WATER CULVERT SUBJECT TO FUTURE PLANNING PERMISSION - PERMANENT PROPOSAL

PUNCH consulting engineers
Dublin | Limerick | Cork | Galway | Glasgow
Carnegie House, Library Road, Dun Laoghaire, Co. Dublin, A96 C7W7
IRL: +353 1 271 2200 www.punchconsulting.com

Stage: PLANNING
Scale @ A1: AS NOTED
Technician Check: IBS
Engineer Check: MCD
Approved:
Drawing No: 182-186-060b
Rev: PL0